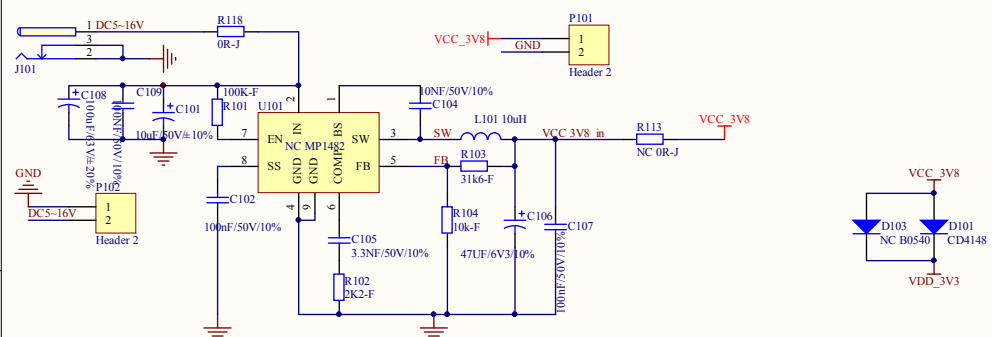
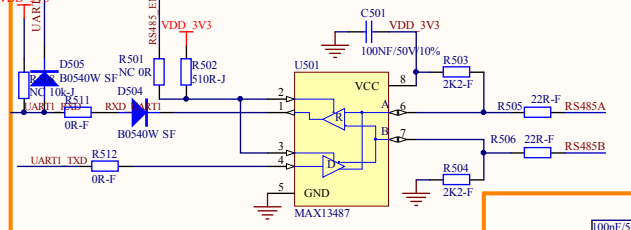


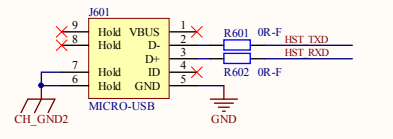
# POWER(1)



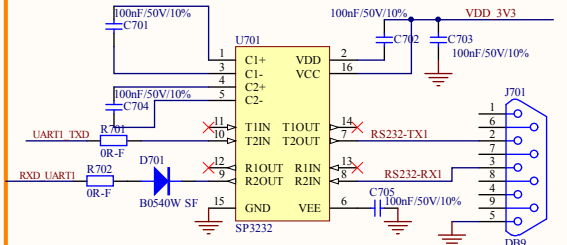
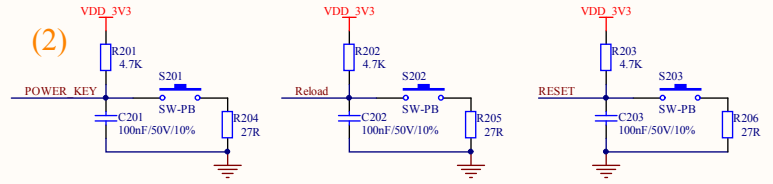
# RS485(5)



# USB(6)

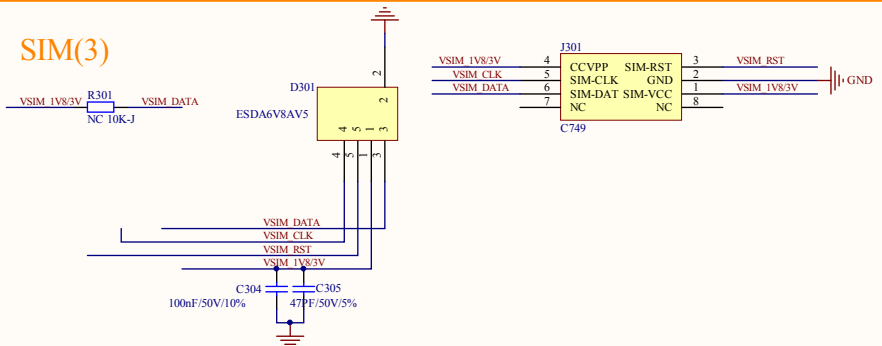


(2)

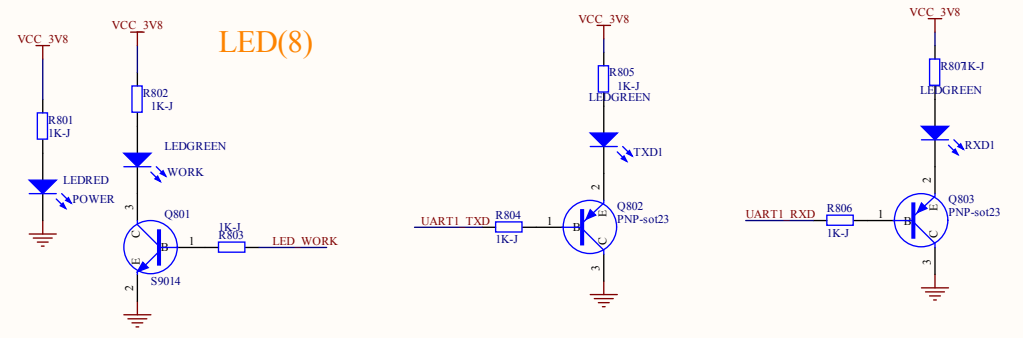


# RS232(7)

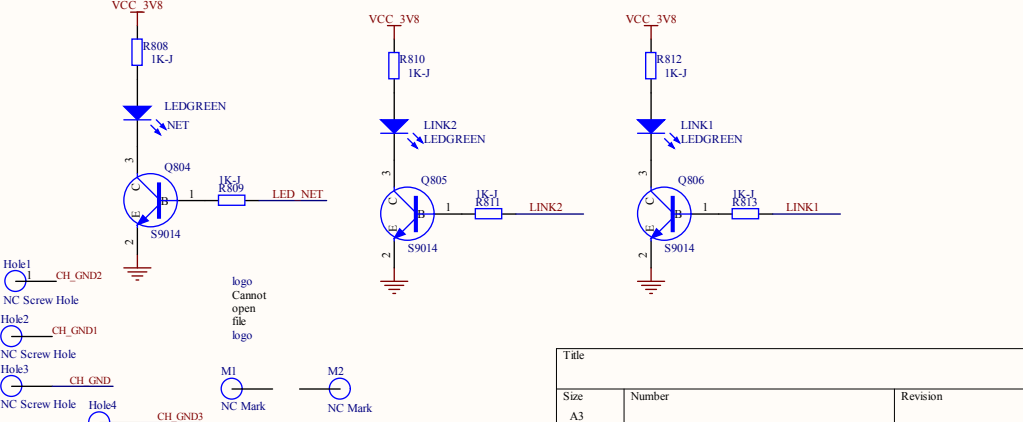
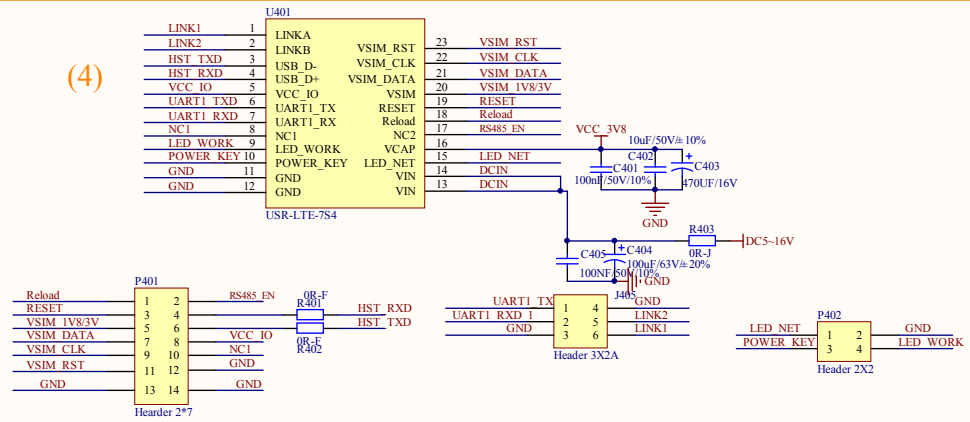
# SIM(3)



# LED(8)



(4)



Title		
Size	Number	Revision
A3		
Date	2017-02-23	Sheet of
File	C:\Users\... \USR-7S-EVK V2.2.SchDoc	Drawn By: